

C2GFR05TT

GAS GRIDDLE PLATE GROOVED MILD STEEL TOP - SOLUTION LINE



PRODUCT DESCRIPTION

Stainless steel frame. Athermic thermoset plastic knobs.

Quick temperature rise and heat retention obtained through a **stabilized flame burner at high performance**, suitable to work at high temperatures. Ignition by electric spark at 230V 1 phase + neutral.

Thick, round-cornered cooking surface with welded splash guard for easy cleaning. Cooking plate gently sloping towards the fat drain, which is connected to a container under the work top. **Standard equipped with a fat drain container.**

Grooved cooking plate.

Provided with a safety thermostatic gas cock, which enables the output to be regulated up to 300°C. Safety ensured by a thermocouple kept active by the burner flame.

Laser-cut work top finishing for "head-to-head" matching and binding fastening.

Tested with natural gas or LPG, according to the user's needs.

Accessories available **on demand**.



TECHNICAL SPECIFICATIONS

Width: 400 mm
Depth: 700 mm
Height: 265 mm
Weight: 29 kg
Volume: 0.21 m³
Electrical power: 0.10 kW
Gas power: 5.25 kW

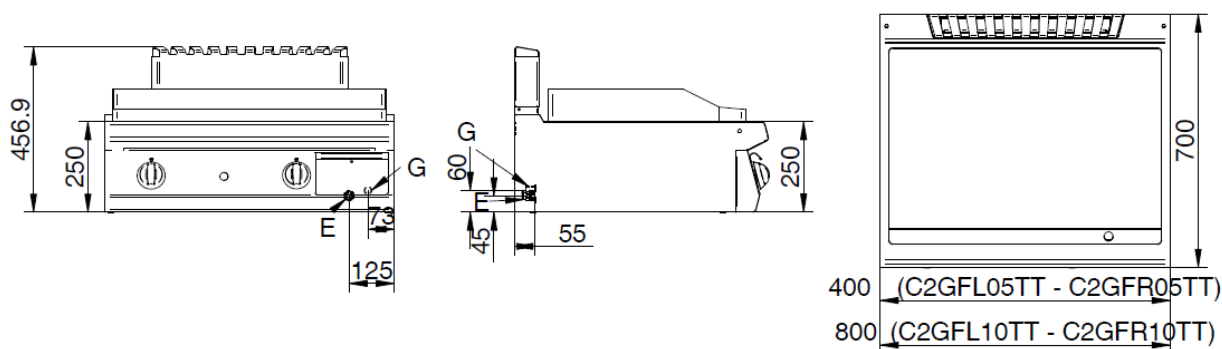


C2GFR05TT

GAS GRIDDLE PLATE GROOVED TABLE TOP - FRY TOP A GAS RIGATO DA BANCO -
 GRILLADE À GAZ NERVUREE À POSER - GASGRIDDLEPLATTE GERILLT TISCHGERÄT
 - FRY TOP A GAS PLANCHA RIZADA DE BANCO - РИФЛЁНАЯ ГАЗОВАЯ ЖАРОЧНАЯ
 ПОВЕРХНОСТЬ НАСТОЛЬНАЯ

DATI TECNICI / CARACTERISTIQUES TECHNIQUES / TECHNICAL SPECIFICATIONS /
 TECHNISCHE DATEN / CARACTERISTICAS TECNICAS / ТЕХНИЧЕСКИЕ ХАРАКТЕРИСТИКИ

Dimensioni / Dimensions / Dimensions / Maße / Medidas / Размеры	[мм]	400x700x295
Gas / Gaz / Gas / Gas / Газ (B)	[Kw] - [кВт]	5,7
Tipo / Type / Type / Typ / Тип (A)		A1
GPL/LPG / Сжиженный нефтяной газ (G30) (D)	[Kg/h] [кг/ч]	0,450
Metano / Methane / Natural gas / Erdgas / Метан (G20) (C)	[m3/h] [м3/ч]	0,603
Aria / Air / Luft / Aire / Воздух	[m3/h] [м3/ч]	11,4
Racc. Gas / Racc. Gaz / Gas fitting / Gasanschluss / Empalme gas / Газовое соединение		UNI-ISO 7/1 R ½
Piastra rigata / Plaque nervurée / Grooved plate / Gerillte Platte/ Plancha rizada / рифлёная конфорка		X



E= elettrico \ électrique \ electric \ Elektrisch \ eléctrico \ электрич
 G= Gas\Gaz \ Газ