

# K7EFG0712

ELECTRIC FRYER DOUBLE TANK 11 + 11 lt.



## PRODUCT DESCRIPTION

Stainless steel frame. Athermic thermostet plastic knobs with useful screen printed edges.

Oil heating obtained through **stainless steel heating elements**, immersed in oil and **easily tilting** for easy cleaning operations.

Manually-reactivating safety thermostat.

**Two 11 lt. tanks** provided with a thermostat, which enables the temperature to be regulated between 100°C and 190°C.

Stainless steel tank with rounded edges sloping towards the drain spout.

Drain valve with handle made of athermic material located in the equipment compartment.

Moulded work surface and tank for easy cleaning. Stainless steel front, side and back panels.

Two baskets K26580, two stainless steel tub lids K7COPFGP and drain sleeves supplied.

Laser-cut work top finishing for "head-to-head" matching and binding fastening.

Height-adjustable stainless steel feet.

Accessories available **on demand**.



## TECHNICAL SPECIFICATIONS

**Width:** 600 mm  
**Depth:** 700 mm  
**Height:** 850 mm  
**Weight:** 53 kg  
**Volume:** 0.53 m<sup>3</sup>  
**Electrical power:** 17.40 kW

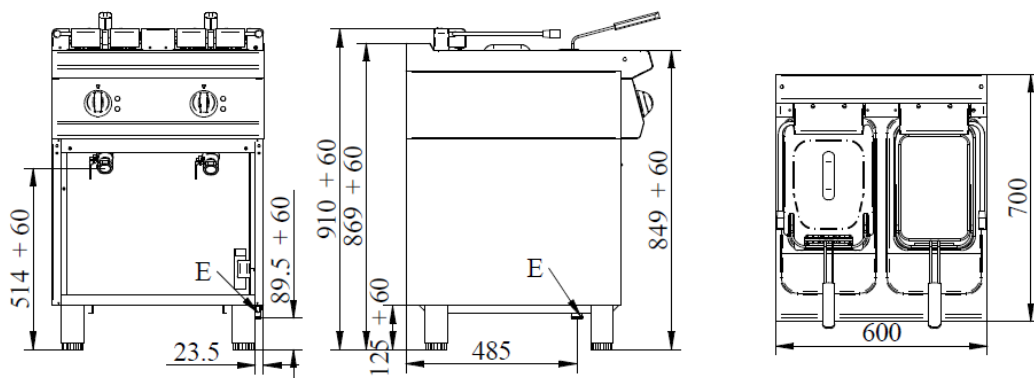


# K7EFG0712

FRIGGITRICE ELETTRICA 11 + 11 LT. - FRITEUSE ÉLECTRIQUE 11 + 11 LT. - ELECTRIC FRYER 11 + 11 LT. - ELEKTROFRITTEUSE 11 + 11 LT. - FREIDORA ELÉCTRICA 11 + 11 LT. - ФРИТЮРНИЦА ЭЛЕКТРИЧЕСКАЯ 11 + 11 Л.

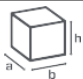


## DATI TECNICI / CARACTERISTIQUES TECHNIQUES / TECHNICAL SPECIFICATIONS / TECHNISCHE DATEN / CARACTERISTICAS TECNICAS / ТЕХНИЧЕСКИЕ ХАРАКТЕРИСТИКИ

Dimensioni / Dimensions / Dimensions / Maße / Medidas / Размеры	[мм]	600x700x850
Potenza elettrica / Puissance électrique / Electric Power / Elektro-Leistung / электр. (E)	[Kw] - [кВт]	17,4
(F)	[V]	400/3N
(G)	[Hz] - [Гц]	50/60
Cavo (non fornito in dotazione) / Cable (non fourni) / Cable (not supplied) / Kabel (nicht mitgeliefert) / Cable / Кабель	H07 RN-F [мм2]	5 x 6
Voltaggi diversi e versioni navali disponibili su richiesta / Différentes tensions et versions maritimes disponibles sur demande / Different voltages and marine versions available on request / Verschiedene Spannungen und Schiffsausführungen auf Anfrage erhältlich / Различные напряжения и варианты исполнения корабля - по запросу		
Capacità vasca / Capacité cuve / Tank capacity / Beckeninhalt / Capacidad caba / Ёмкость чаши	[L] [л]	12 + 12
Quantità di patate massima contenuta in un cesto grande - Quantité maximale de pommes de terre dans un grand panier - Maximum quantity of potatoes in a large basket - Maximale Menge an Kartoffeln in einem großen Korb - Cantidad máxima de patatas en una cesta grande - Максимальное количество картофеля в большой корзине	[kg] [кг]	1,6 + 1,6
Produzione massima - Production maximale - Maximum output - Maximale Leistung - Producción máxima - Максимальное производство	[kg/h] [кг/ч]	35



E= elettrico \ électrique \ electric \ Elektrisch \ eléctrico \ электрич

### Standard

			
		Mm	
	<b>N.2 K26580</b>	<b>a</b> 200 <b>b</b> 285 <b>h</b> 100	Cesto friggitrice 1/1 Panier friteuse 1/1 Basket for fryer 1/1 Korb für Fritteuse 1/1 Cesta freidora 1/1 Корзина для фритюрницы 1/1
	<b>N.2 K6COPEFGR</b>		Fryer lid - Coperchio - Couvercle - Deckel - Tapa - Крышка для фритюрницы

### Accessori - Accessoires - Accessories – ZubehörE - Accesorios - Аксессуары

	<b>n. 1 K7PORTA07</b>		Door – Porta – Porte – Tür - Puerta - Дверца
---	-----------------------	--	--