

# K7GCPP10

GAS PASTA COOKER DOUBLE TANK 26+26 LT.



## PRODUCT DESCRIPTION

Stainless steel frame. Athermic thermoset plastic knobs with useful screen printed edges.

Heating obtained through **tubular burner with stabilized stainless steel flame**, with thermocouple safety valve and protected pilot flame. Power and quick intervention of the burners in order to avoid the temperature lowering when the product is poured into the tank. Equipped with a safety gas cock that allows to adjust the power **from maximum to minimum**. Safety guaranteed by a thermocouple kept active by the pilot burner flame.

AISI 304 stainless steel worktop with rounded edges for easy cleaning. Front, side and back coverings in stainless steel.

Cooking tanks (**capacity of 26 litres each**) made with AISI 316 cold moulding, resistant to salt water and starch, with touch zone and starch evacuation, drainage hole and small perforated stainless steel front surface for supporting the baskets.

Tap for filling and refilling water positioned on the front panel. Tank drain positioned inside the machine to avoid accidental openings.

Drain fitting made entirely of AISI 316 stainless steel.

Laser-cut work top finishing for "head-to-head" matching and binding fastening.

Tested with natural gas or LPG, according to the user's needs.

**Height-adjustable** stainless steel legs.

Accessories available **on demand**.



## TECHNICAL SPECIFICATIONS

**Width:** 800 mm  
**Depth:** 700 mm  
**Height:** 850 mm  
**Weight:** 86 kg  
**Volume:** 0.80 m<sup>3</sup>  
**Gas power:** 17.40 kW

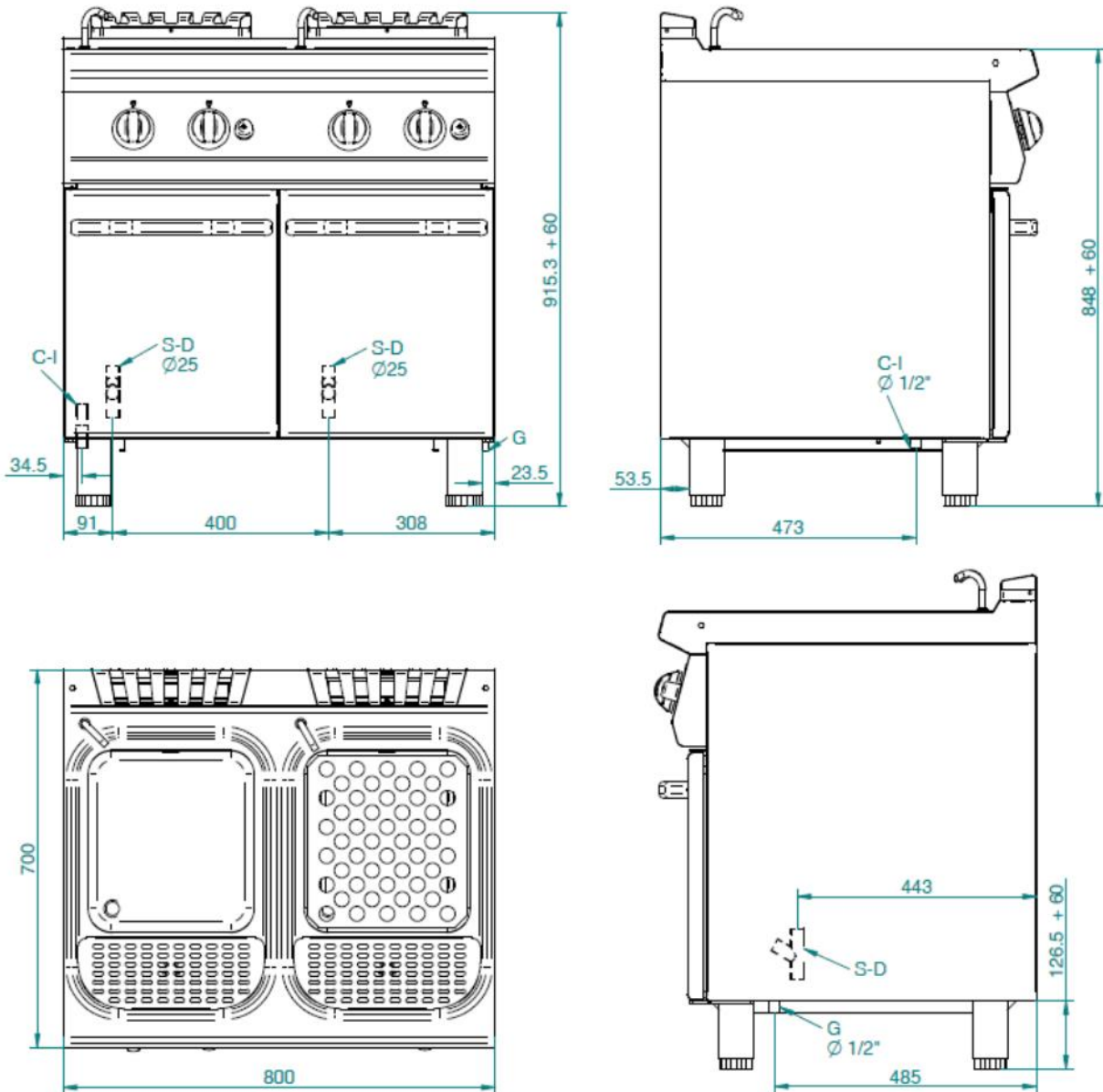


# K7GCPP10

CUOCIPASTA A GAS 26 + 26 LT // CUISEUR A PATES A GAZ 26 + 26 LT. // GASNUDELKOCHER 26 + 26 LT. // CUECE PASTA A GAS 26 + 26 LT. // ГАЗОВЫЕ МАКАРОНОВАРКИ

DATI TECNICI / CARACTERISTIQUES TECHNIQUES / TECHNICAL SPECIFICATIONS / TECHNISCHE DATEN / CARACTERISTICAS TECNICAS / ТЕХНИЧЕСКИЕ ХАРАКТЕРИСТИКИ

Dimensioni / Dimensions / Dimensions / Maße / Medidas / Размеры	[мм]	800x700x850
Gas / Gaz / Gas / Gas / Газ (B)	[Kw] - [кВт]	17,4
Tipo / Type / Type / Typ / Тип (A)		A1
GPL/LPG / Сжиженный нефтяной газ (G30) (D)	[Kg/h] [кг/ч]	1,3721
Metano / Methane / Natiral gas / Erdgas / Метан (G20) (C)	[m3/h] [м3/ч]	1,841
Racc. Gas / Racc. Gaz / Gas fitting / Gasanschluss / Empalme gas / Газовое соединение		UNI-ISO 7/1 R ½
Capacità vasca/ Capacité cuve/ Tank capacity/ Beckeninhalte/ Capacidad cuba / Ёмкость чаши	[Lt] [л]	26 + 26
Racc. acqua/Racc. eau/Water fitting/Wasseranschluss/ Empalme agua/ Фитинг воды/		UNI-ISO 7/1 R ½
Press. Acqua/Pression eau/Water pressure//Wasserdruck/Presion agua/ Давл. Воды MAX	[kPa]	300



G = Gas / Gaz / Gas / Gas / Gas / газ

C (Ø 1/2") = Carico acqua \ Remplissage d'eau \ Water filling \ Wasser anfüllen \ Carga agua \ Заливка воды

S D - S (Ø 1")= Scarico acqua \ Évacuer l'eau \ Water emptying \ Wasser entleeren \ Descarga agua \ Слив воды

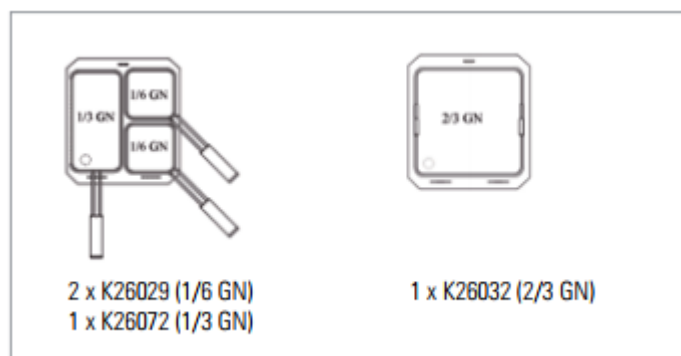
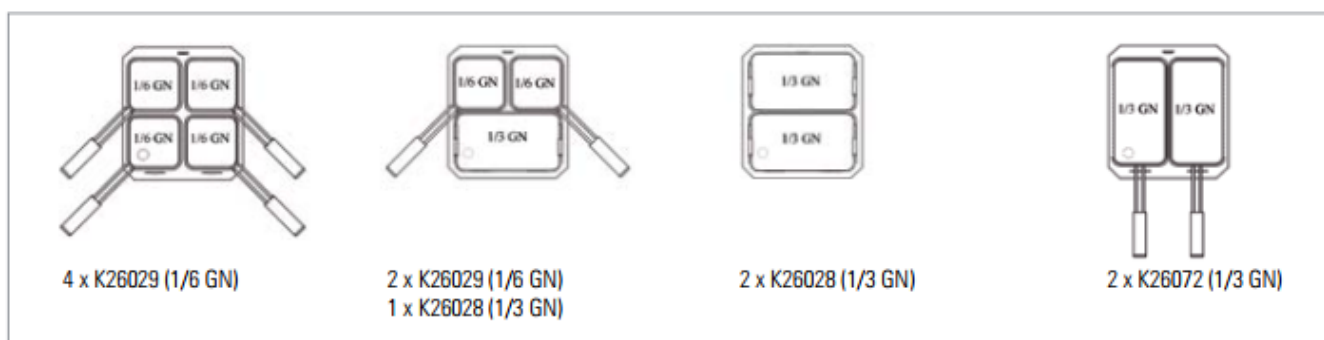
## Standard

Vasca e raccorderia inox AISI 316 – Cuve et raccords inox AISI 316 – Tank und Verbindungsstück aus Edelstahl AISI 316 – Cuba y conexiones de acero AISI 316 - Емкость и арматура нержавеющей сталь AISI 316

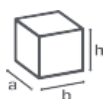
## Optional

N. 4 x **K26028** Cesti - Paniers - Baskets - Körbe - Cestas - Корзины

Configurazioni per vasca - Configurations cuves – Configuration possibilities - Behältermöglichkeiten  
Configuraciones recipientes - Конфигурации ванн



## Accessori - Accessoires - Accessories - Zubehöre - Accesorios - Аксессуары



Mm


**K26028**

 a 160  
 b 290  
 h 200

Cesto cuocipasta 1/3 GN - Panier pour cuiseur à pâte 1/3 GN - Basket for pasta cooker 1/3 GN - Korb für Nudelkocher 1/3 GN - Cesta para cuece-pasta 1/3 GN - Корзина для макаронотварки 1/3 GN


**K26032**

 a 290  
 b 290  
 h 200

Cesto cuocipasta 2/3 GN - Panier pour cuiseur à pâte 2/3 GN - Basket for pasta cooker 2/3 GN - Korb für Nudelkocher 2/3 GN - Cesta para cuece-pasta 2/3 GN - Корзина для макаронотварки 2/3 GN


**K26029**

 a 140  
 b 140  
 h 200

Cesto cuocipasta 1/6 GN - Panier pour cuiseur à pâte 1/6 GN - Basket for pasta cooker 1/6 GN - Korb für Nudelkocher 1/6 GN - Cesta para cuece-pasta 1/6 GN - Корзина для макаронотварки 1/6 GN


**K26072**

 a 290  
 b 140  
 h 200

Cesto cuocipasta 1/3 GN - Panier pour cuiseur à pâte 1/3 GN - Basket for pasta cooker 1/3 GN - Korb für Nudelkocher 1/3 GN - Cesta para cuece-pasta 1/3 GN - Корзина для макаронотварки 1/3 GN


**C2COPCP**

 a 340  
 b 258  
 h 85

Coperchio per cuocipasta - Couvercle pour cuisier à pâte - Lid for pasta cooker - Deckel für Nudelkocher - Tapa para cuece-pasta - Крышка для макаронотварки