

# K7GCTP10VV

GAS RANGE 2 BURNERS + GAS SOLID TOP + OPEN CABINET



## PRODUCT DESCRIPTION

Stainless steel frame. Athermic thermoset plastic knobs.

**Thick cast iron cooking surface** with rounded edges made in single casting. Lift-off central round insert. Central stainless steel round burner, suitable for working at high temperatures. Maximum temperature of about 500°C in the hottest central point, gently decreasing towards the edges thanks to different isothermal temperature zones.

Heating obtained through **watertight, superposed crown stabilized flame burners** with different power ratings (**6,2 kw and 8,5 kw**). Each burner provided with a safety gas cock, which enables the output to be regulated from maximum to minimum. Safety ensured by a thermocouple kept active by the flame of the pilot burner.

Surface grids and burners made of alkali, acid and fire resistant **matte RAAF enamelled cast iron**.

Surface grids placed on moulded surfaces with rounded edges for easy cleaning and avoiding liquid overflowing.

Stainless steel moulded trays with rounded edges, placed under the burners for easy cleaning.

Laser-cut work top finishing for "head-to-head" matching and binding fastening.

**Height-adjustable** stainless steel legs.

Tested with natural gas or LPG, according to the user's needs.

Accessories available **on demand**.



## TECHNICAL SPECIFICATIONS

**Width:** 800 mm  
**Depth:** 700 mm  
**Height:** 850 mm  
**Weight:** 80 kg  
**Volume:** 0.80 m<sup>3</sup>  
**Gas power:** 20.70 kW

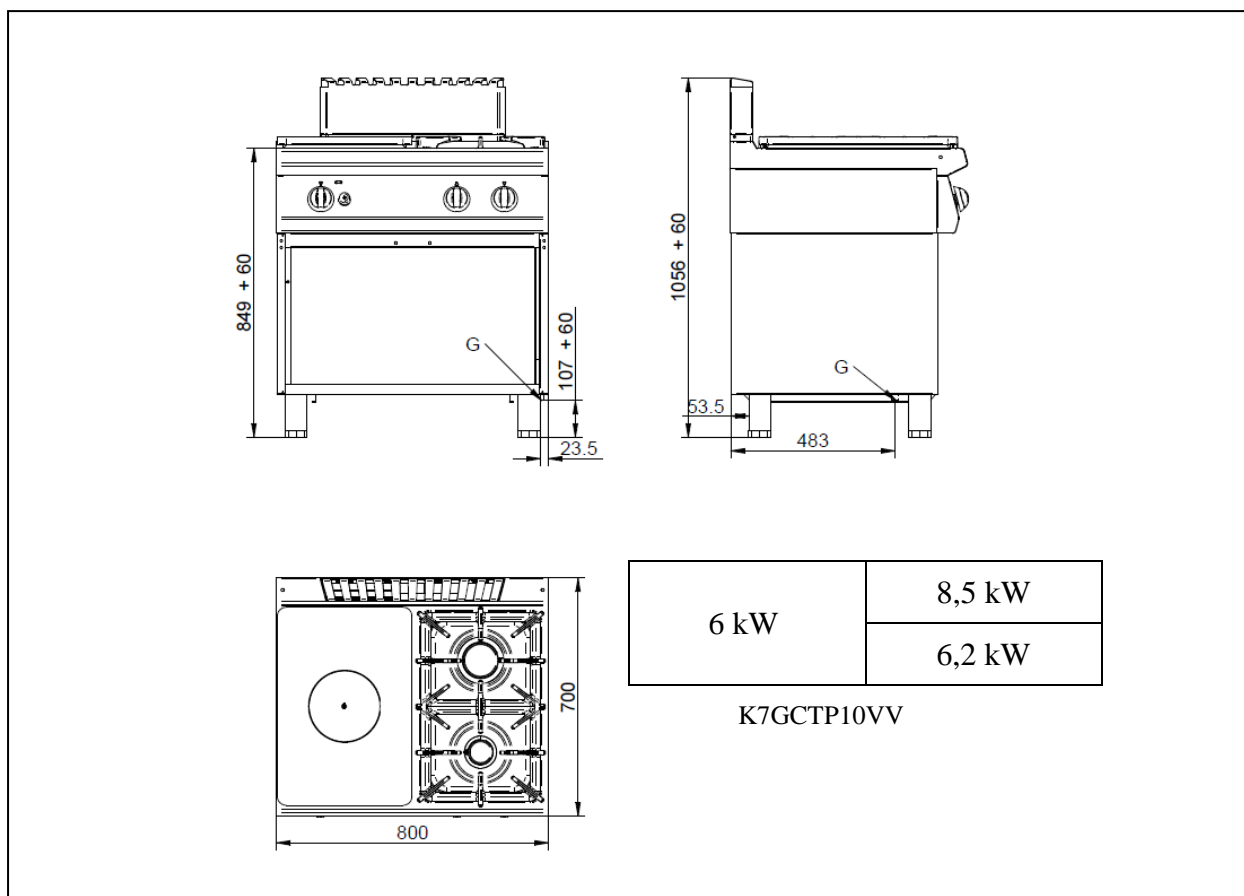


## K7GCTP10VV

CUCINA GAS 2 FUOCHI CON TUTTAPIASTRA + VANO APERTO / FOURNEAU À GAZ 2 BRÛLEURS AVEC COUP DE FEU + BAIE LIBRE OUVERTE / GAS RANGE 2 BURNERS WITH SOLID TOP + OPEN CABINET / GASHERD 2 KOCHSTELLEN MIT GLÜHPLATTE + OFFENER UNTERSCHRANK / COCINA A GAS 2 QUEMADORES DE PLACA RADIANTE + BASE ABIERTA / ГАЗОВАЯ ПЛИТА С 2 ГОРЕЛКАМИ СО СПЛОШНОЙ ВАРОЧНОЙ ПОВЕРХНОСТЬЮ + ОТКРЫТЫЙ ШКАФ

### DATI TECNICI / CARACTERISTIQUES TECHNIQUES / TECHNICAL SPECIFICATIONS / TECHNISCHE DATEN / CARACTERISTICAS TECNICAS / ТЕХНИЧЕСКИЕ ХАРАКТЕРИСТИКИ

Dimensioni / Dimensions / Dimensions / Maße / Medidas / Размеры	[мм]	800x700x850
Gas / Gaz / Gas / Gas / Газ (B)	[Kw] - [кВт]	20,7
Tipo / Type / Type / Typ / Тип (A)		A1
GPL/LPG / Сжиженный нефтяной газ (G30) (D)	[Kg/h] [кг/ч]	1,380
Metano / Methane / Natural gas / Erdgas / Метан (G20) (C)	[m3/h] [м3/ч]	2,159
Aria / Air / Luft / Aire / Воздух	[m3/h] [м3/ч]	40,8
Racc. Gas / Racc. Gaz / Gas fitting / Gasanschluss / Empalme gas / Газовое соединение		UNI-ISO 7/1 R ½
Bruciatore / Bruleur / Burner / Brenner/Quemador / Горелка (C)	[kW] [кВт]	1 x 6,2
Bruciatore / Bruleur / Burner / Brenner/Quemador / Горелка (D)	[kW] [кВт]	1 x 8,5
Bruciatore / Bruleur / Burner / Brenner/Quemador / Горелка	[kW] [кВт]	1 x 6



G = Gas / Gaz / Gas / Gas / Gas / газ

### Standard

Bacinella fuochi inox - Bacs brûleurs inox - Stainless steel burner tray - Auffangbehälter aus Edelstahl - Bandejas quemadores en inox – Конфорки из нержавеющей стали

### Optional

n. 2 x **K7PORTA** Porta - Porte - Door - Tür - Puerta – Дверца