



PLANETARY MIXER BE-30

Floorstanding unit with 30 l / qt bowl.



DYNAMIC PREPARATION
PLANETARY MIXERS

SALES DESCRIPTION

“C” models, equipped with attachment drive for accessories.

“I” models with stainless steel column.

Professional food mixer for preparing dough (bread, cake...), egg whites (soufflés, meringue...), sauces (mayonnaise...) and minced meat mixtures.

- ✓ Powerful three-phase motor controlled by highly reliable electronic speed variator technology, which enables the mixers to be connected to a single-phase electrical mains supply.
- ✓ 0-30 minute electronic timer and continuous operation option.
- ✓ Acoustic alarm at end of cycle.
- ✓ Electronic speed control.
- ✓ Equipped with a safety guard.
- ✓ Lever operated bowl lift.
- ✓ Double micro switch for bowl position and safety guard.
- ✓ Safeties off indicator.
- ✓ Reinforced waterproofing system.
- ✓ Stainless steel legs.
- ✓ Strong and resistant bowl.
- ✓ Easy to maintain and repair.
- ✓ UNE-EN 454/2015 compliant.

INCLUDES

- ✓ Stainless steel bowl.
- ✓ Spiral hook for heavy dough.
- ✓ Beater spatula for soft dough.
- ✓ Balloon whisk.

OPTIONAL

- Attachment drive for accessories.
- Stainless steel column.
- 10 l / qt reduction equipment (bowl + tools).
- Bowl transport trolley.
- Base kit with wheels for ease of moving and storing the mixer.

ACCESSORIES

- Vegetable preparation attachment CR-143
- Meat mincer attachment HM-71
- Potato masher attachment P-132
- Bowls for planetary mixers
- Reduction equipments
- Bowl transport trolleys
- Base kit with wheels
- Discs and grids for CR-143

SPECIFICATIONS

Bowl capacity: 30 l
 Bowl dimensions: 380 mm x 340 mm
 Capacity in flour (50% water): 9 kg
 Timer (min-max): 0' - 30'
 Tool speed: 87 - 378 rpm
 Planetary speed: 39 - 168 rpm
 Total loading: 1100 W

External dimensions (W x D x H)

- ✓ Width: 528 mm
- ✓ Depth: 764 mm
- ✓ Height: 1152 mm
- Net weight: 105 kg
- Noise level (1m.): <75 dB(A)
- Background noise: 32 dB(A)

AVAILABLE MODELS

1500280	Food mixer BE-30 230/50-60/1
1500282	Food mixer BE-30I 230/50-60/1
1500281	Food mixer BE-30C 230/50-60/1
1500286	Food mixer BE-30 400-440/50-60/3
1500291	Food mixer BE-30I 208-240/50-60/1
1500287	Food mixer BE-30C 400-440/50-60/3

* Ask for special versions availability



SAMMIC, S.L. · Basarte, 1
20720 AZKOITIA (Gipuzkoa) · SPAIN

product sheet
updated 03/12/2025

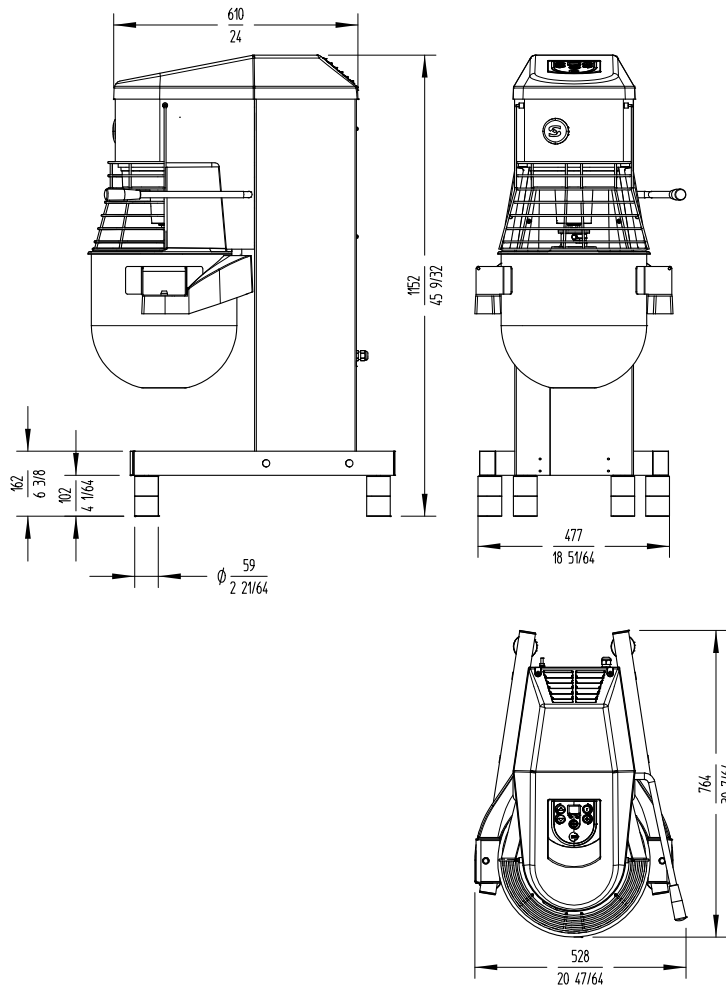


PLANETARY MIXER BE-30

Floorstanding unit with 30 l / qt bowl.



DYNAMIC PREPARATION
PLANETARY MIXERS



sammic | sammic.com
Food Service Equipment Manufacturer

Polígono Basarte, 1. phone +34 943 15 72 36
20720 Azkoitia, Spain sales@sammic.com



Project	Date
Item	Qty
Approved	

product sheet
updated 03/12/2025