



VEGETABLE PREPARATION MACHINE CA-41

High production vegetable preparation machine with an hourly output of up to 650 kg / 1300 lb.



DYNAMIC PREPARATION
COMMERCIAL VEGETABLE PREPARATION MACHINES

SALES DESCRIPTION

Single-speed motor block + large production attachment.

A perfect cut

- ✓ High precision adjustments to obtain a uniform and excellent-quality cut.
- ✓ It can be fitted with a wide range of discs and grids of the highest cutting quality. By combining these accessories, it is possible to obtain more than 70 different types of cuts and grating grades.
- ✓ Head with blade on one side that distributes products inside the mouth and cuts and distributes whole products such as cabbage.
- ✓ Head equipped with high ejector: enables a higher quantity of product to be processed.

Built to last

- ✓ Made from stainless steel and food-grade materials of the highest quality: stainless steel motor block and food-grade aluminium head.
- ✓ High power asynchronous motor.

Maximum comfort for the user

- ✓ Ergonomic design for maximum user comfort.
- ✓ Lateral product output: requires less space on the worktop and guides the product, avoiding splashes.
- ✓ The electronic command panel is very intuitive.

Maintenance, safety, hygiene

- ✓ Lever and lid easily removable for cleaning purposes.
- ✓ Combination of safety systems: head, cover, power switch.
- ✓ Appliance certified by NSF International (regulations on hygiene, cleaning and materials suitable for contact with foods).
- ✓ 100% tested.

INCLUDES

- ✓ 1 speed motor block.
- ✓ Large capacity hopper.
- ✓ Core drill (optional use).
- ✓ Universal grid cleaner QC-U.

OPTIONAL

- Tube head.
- High production semi-automatic hopper.
- Support-trolley.
- Discs and grids.
- Grid cleaning kit.

ACCESSORIES

- FCC curved slicing discs
- FCO rippled slicing discs
- FFC chipping grids
- FMC dicing grids
- FCE julienne discs
- Long vegetable attachment
- Disc and grid packs - Heavy Duty
- Disc and grid holder
- Stand-trolley
- Automatic hopper
- Quick Cleaner: grid cleaners
- FC slicing discs
- SH shredding & grating discs
- Déli-cut cutting kit - Heavy Duty
- Universal grid cleaner QC-U

SPECIFICATIONS

Hourly production: 200 kg - 650 kg

Inlet opening: 286 cm²

Disc diameter: 205 mm

Motor speed: 365 rpm

Loading: 550 W

Noise level (1m.): <70 dB(A)

Background noise: 32 dB(A)

External dimensions (W x D x H)

Width: 391 mm

Depth: 396 mm

Height: 652 mm

Net weight: 24 kg

Crated dimensions

440 x 430 x 700 mm

Volume Packed: 0.13 m³

Gross weight: 28.5 / 29 kg



SAMMIC, S.L. · Basarte, 1
20720 AZKOITIA (Gipuzkoa) · SPAIN

product sheet
updated 11/11/2025



VEGETABLE PREPARATION MACHINE CA-41

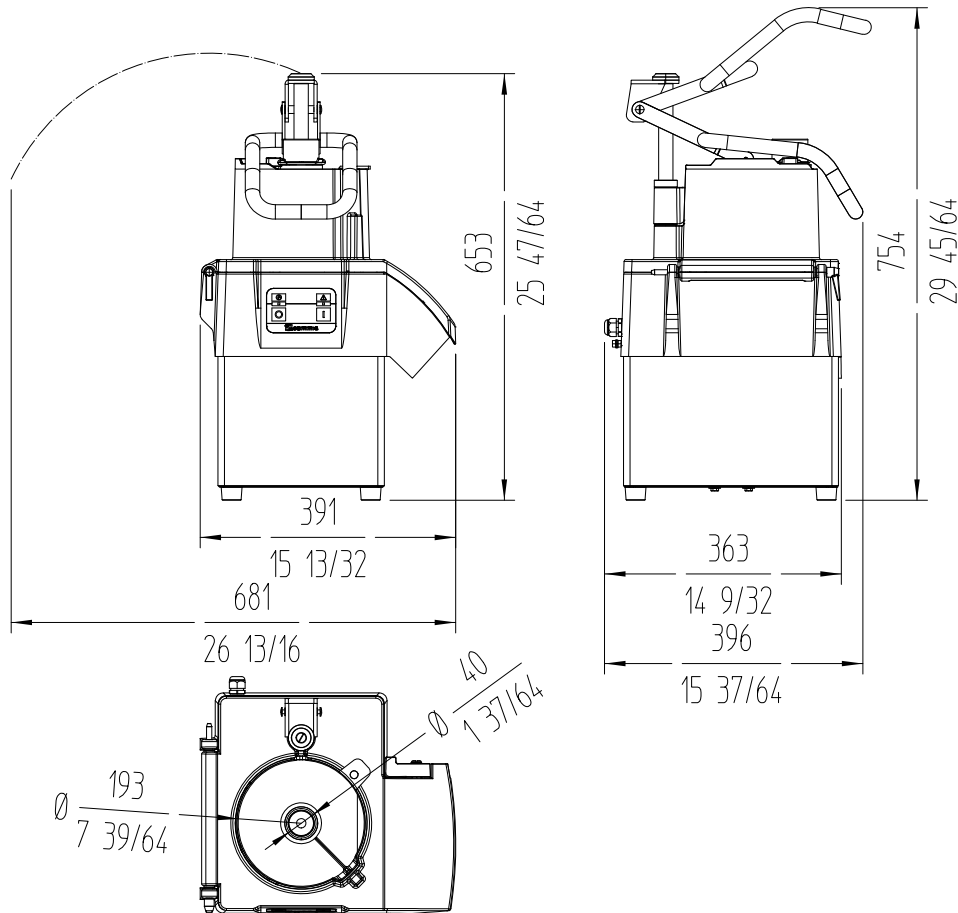
High production vegetable preparation machine with an hourly output of up to 650 kg / 1300 lb.



AVAILABLE MODELS

1050721	Vegetable preparation machine CA-41 230-400/50/3N
1050719	Vegetable preparation machine CA-41 230/50/1
1050720	Vegetable preparation machine CA-41 120/60/1
1050725	Vegetable preparation machine CA-41 220/60/1
1050726	Vegetable preparation machine CA-41 220-380/60/3N
1050731	Vegetable preparation machine CA-41 230/50/1 UK

* Ask for special versions availability



DYNAMIC PREPARATION
COMMERCIAL VEGETABLE PREPARATION MACHINES

sammic | sammic.com
Food Service Equipment Manufacturer

Polígono Basarte, 1. phone +34 943 15 72 36
 20720 Azkoitia, Spain sales@sammic.com



Project	Date
Item	Qty
Approved	

product sheet
updated 11/11/2025