



# VACUUM SEALER SE-316

Tabletop model. 16 m<sup>3</sup>/h. 320 mm.



FOOD PRESERVATION AND SOUS-VIDE  
COMMERCIAL VACUUM PACKING MACHINES

## SALES DESCRIPTION

320 mm sealing bar.  
16 m<sup>3</sup>/h Busch vacuum pump.  
Vacuum controlled by sensor.

- ✓ Powered by Busch.
- ✓ Vacuum controlled by sensor.
- ✓ Vacuum PLUS.
- ✓ Digital keyboard.
- ✓ Control panel equipped with display indicating the exact vacuum percentage.
- ✓ "Pause" button to marinate food.
- ✓ Safe liquid packing thanks to sensor control.
- ✓ Double seal.
- ✓ Cordless sealing bar.
- ✓ Bag-sealing programme.
- ✓ Pulse-controlled decompression.
- ✓ Vac-Norm ready with Automatic decompression.
- ✓ Stainless steel body and chamber. Deep-drawn chamber.
- ✓ Damped transparent lid.
- ✓ Dry-oil programme for drying the pump.
- ✓ Working hours counter for oil changes.
- ✓ Safety system with protection against vacuum failure.
- ✓ NSF-listed model.

## INCLUDES

- ✓ Sensor controls.
- ✓ Up to 10 seconds of extra vacuum pull.
- ✓ Soft air function.
- ✓ Dry oil cycle.
- ✓ BUSCH pump.
- ✓ NSF approved.
- ✓ Clear methacrylate lid.
- ✓ Filling plate.

## OPTIONAL

- Vacuum packing bags.
- External vacuum kit for Vac-Norm, containers and accessories.
- Support for liquid packaging.
- Additional filling plates.

## ACCESSORIES

- Filling plates
- Liquid insert plates
- Vac-norm external vacuum kit
- Vac-norm containers
- Smooth bags for vacuum packing
- Vacuum packing machines maintenance kits

## SPECIFICATIONS

Pump capacity: 16 m<sup>3</sup>/h  
 Pump capacity (60 Hz): 19 m<sup>3</sup>/h  
 Bar length: 320 mm  
 Total loading: 370 W  
 Vacuum pressure (maximum): 2 mbar

### Internal dimensions

- ✓ Width: 330 mm
- ✓ Depth: 360 mm
- ✓ Height: 155 mm

### External dimensions (W x D x H)

- ✓ Width: 384 mm
- ✓ Depth: 465 mm
- ✓ Height: 403 mm
- Net weight: 42 kg
- Noise level (1m.): 75 dB(A)
- Background noise: 32 dB(A)

## AVAILABLE MODELS

1140630 SE-316 230/50-60/1  
 1140631 SE-316 120/50-60/1

\* Ask for special versions availability



SAMMIC, S.L. · Basarte, 1  
20720 AZKOITIA (Gipuzkoa) · SPAIN

product sheet  
updated 03/12/2025

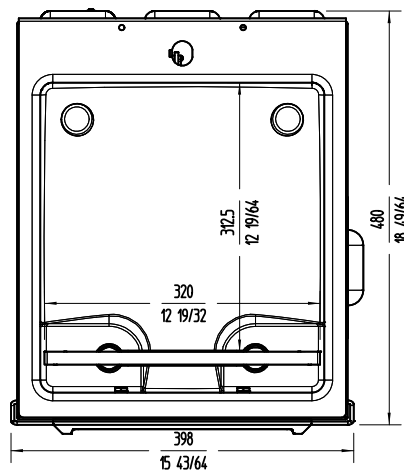
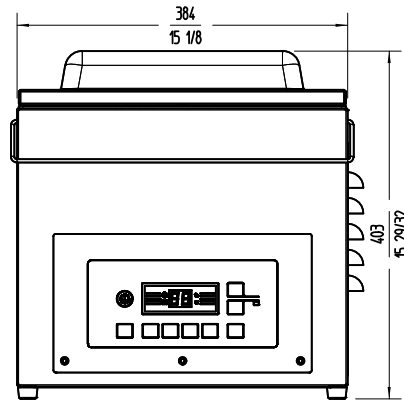
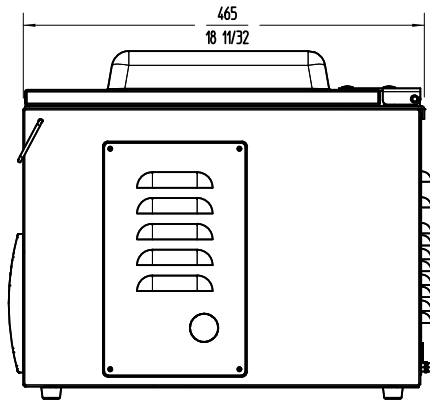


# VACUUM SEALER SE-316

Tabletop model. 16 m<sup>3</sup>/h. 320 mm.



FOOD PRESERVATION AND SOUS-VIDE  
COMMERCIAL VACUUM PACKING MACHINES



**sammic** | sammic.com  
**Food Service Equipment Manufacturer**

Polígono Basarte, 1. phone +34 943 15 72 36  
 20720 Azkoitia, Spain sales@sammic.com



Project	Date
Item	Qty
Approved	

product sheet  
updated 03/12/2025