



# VACUUM SEALER SE-606CC

Floorstanding unit. 63 m<sup>3</sup>/h. 465 + 465 mm.



FOOD PRESERVATION AND SOUS-VIDE  
COMMERCIAL VACUUM PACKING MACHINES



## SALES DESCRIPTION

Two sealing bars (465 + 465 mm).  
63 m<sup>3</sup>/h Busch vacuum pump.  
Vacuum controlled by sensor.

- ✓ Powered by Busch.
- ✓ Vacuum controlled by sensor.
- ✓ Vacuum PLUS.
- ✓ Digital keyboard.
- ✓ Control panel equipped with display indicating the exact vacuum percentage.
- ✓ "Pause" button to marinate food.
- ✓ Safe liquid packing thanks to sensor control.
- ✓ Double seal.
- ✓ Cordless sealing bar.
- ✓ Bag-sealing programme.
- ✓ Pulse-controlled decompression.
- ✓ Vac-Norm ready with Automatic decompression.
- ✓ Stainless steel body and chamber.
- ✓ Damped transparent lid.
- ✓ Dry-oil programme for drying the pump.
- ✓ Working hours counter for oil changes.
- ✓ Safety system with protection against vacuum failure.
- ✓ NSF-listed model.

## INCLUDES

- ✓ Sensor controls.
- ✓ Up to 10 seconds of extra vacuum pull.
- ✓ Soft air function.
- ✓ Dry oil cycle.
- ✓ BUSCH pump.
- ✓ NSF approved.
- ✓ Clear methacrylate lid.
- ✓ Filling plate.

## OPTIONAL

- Vacuum packing bags.
- External vacuum kit for Vac-Norm, containers and accessories.
- Bag cutting kit.
- Support for liquid packaging.
- Additional filling plates.

## ACCESSORIES

- Bag cutting kits
- Filling plates
- Liquid insert plates
- Vac-norm external vacuum kit
- Vac-norm containers
- Smooth bags for vacuum packing
- Vacuum packing machines maintenance kits

## SPECIFICATIONS

Pump capacity: 63 m<sup>3</sup>/h  
Pump capacity (60 Hz): 75 m<sup>3</sup>/h  
Bar length: 465 + 465 mm  
Total loading: 1500 W  
Vacuum pressure (maximum): 0.5 mbar

### Internal dimensions

- ✓ Width: 672 mm
- ✓ Depth: 481 mm
- ✓ Height: 200 mm

### External dimensions (W x D x H)

- ✓ Width: 740 mm
  - ✓ Depth: 566 mm
  - ✓ Height: 997 mm
- Net weight: 159 kg  
Noise level (1m.): 75 dB(A)  
Background noise: 32 dB(A)  
Crated dimensions  
830 x 670 x 1200 mm  
Gross weight: 196.8 kg

## AVAILABLE MODELS

- 1140663 SE-606 CC 230-400/50/3N
- 1140669 SE-606 CC 208-240V/60/3
- 1140676 Vacuum packing machine SE-606 CC 220/60/3
- 1140667 VAC P SE-606 CC 380/60/3N

\* Ask for special versions availability



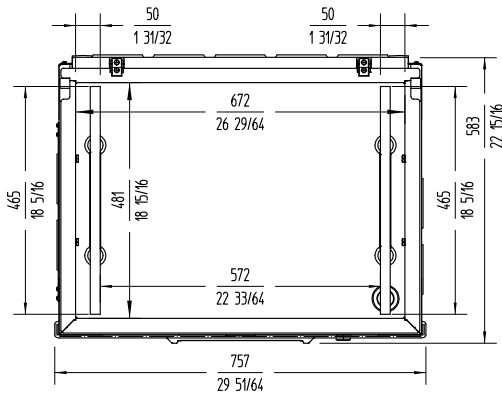
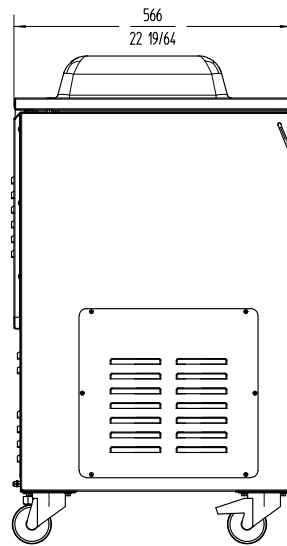
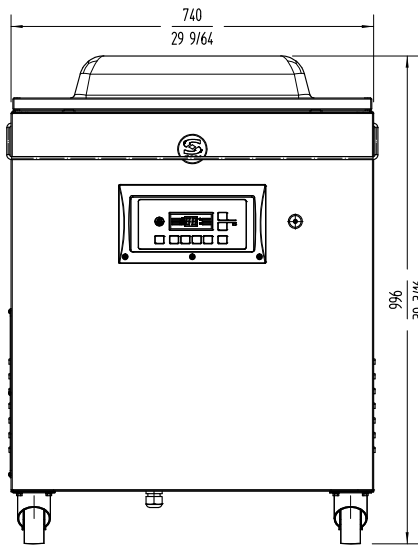


# VACUUM SEALER SE-606CC

Floorstanding unit. 63 m<sup>3</sup>/h. 465 + 465 mm.



FOOD PRESERVATION AND SOUS-VIDE  
COMMERCIAL VACUUM PACKING MACHINES



**sammic** | sammic.com  
Food Service Equipment Manufacturer

Polígono Basarte, 1. phone +34 943 15 72 36  
20720 Azkoitia, Spain sales@sammic.com



Project	Date
Item	Qty
Approved	

product sheet  
updated 03/12/2025