



VACUUM SEALER SU-6160

Double chamber vacuum packing machine. 155 m³/h.



FOOD PRESERVATION AND SOUS-VIDE
COMMERCIAL VACUUM PACKING MACHINES

SALES DESCRIPTION

High performance model with tilting cover, double chamber and 2 x 662 mm. sealing bars.
155 m³/h Busch vacuum pump.
Vacuum controlled by sensor.

- ✓ Powered by Busch.
- ✓ Vacuum controlled by sensor.
- ✓ Vacuum PLUS.
- ✓ LCD colour screen: all information at a glance.
- ✓ Backlit touch keyboard.
- ✓ Programmable: 99-programme memory. Blocking option.
- ✓ "Pause" button to marinate food.
- ✓ Phased vacuum programme.
- ✓ Detection of the evaporation of liquids.
- ✓ Double seal.
- ✓ Cordless sealing bar.
- ✓ Bag sealing program.
- ✓ Progressive decompression.
- ✓ Vac-Norm ready with automatic decompression.
- ✓ Stainless steel body and chambers.
- ✓ Tilting stainless steel lid.
- ✓ Dry-oil programme for drying the pump.
- ✓ Working hours counter for oil changes.
- ✓ Safety system with protection against vacuum failure.
- ✓ NSF-listed model.

INCLUDES

- ✓ BUSCH pump.
- ✓ Sensor controls.
- ✓ Programmable.
- ✓ Bluetooth connectivity.
- ✓ Vacuum PLUS: up to 10 seconds of extra vacuum pull.
- ✓ Soft air function.
- ✓ "PAUSE" function.
- ✓ Liquid detection system.
- ✓ Dry oil cycle.
- ✓ NSF approved.
- ✓ 4 filling plates.

OPTIONAL

- Inert gas.
- Sealing plus.
- Printer.
- Vacuum packing bags.
- Bag cutting kit.
- Support for liquid packaging.
- Additional filling plates.

ACCESSORIES

- Bag cutting kits
- Filling plates
- Liquid insert plates
- Smooth bags for vacuum packing
- Thermal labels for CG2 / RB printer
- RB desktop printer for SU vacuum packing machines
- Thermal transfer labels for RB printer
- Vacuum packing machines maintenance kits

SPECIFICATIONS

Pump capacity: 155 m³/h
Pump capacity (60 Hz): 186 m³/h
Bar length: 2 x (662 + 662) mm
Total loading: 4000 W
Vacuum pressure (maximum): 0.5 mbar

Internal dimensions

- ✓ Width: 662 mm
- ✓ Depth: 656 mm
- ✓ Height: 205 mm

External dimensions (W x D x H)

- ✓ Width: 1640 mm
- ✓ Depth: 874 mm
- ✓ Height: 1370 mm

Net weight: 400 kg

Noise level (1m.): 75 dB(A)
Background noise: 32 dB(A)

Crated dimensions
1720 x 980 x 1280 mm





VACUUM SEALER SU-6160

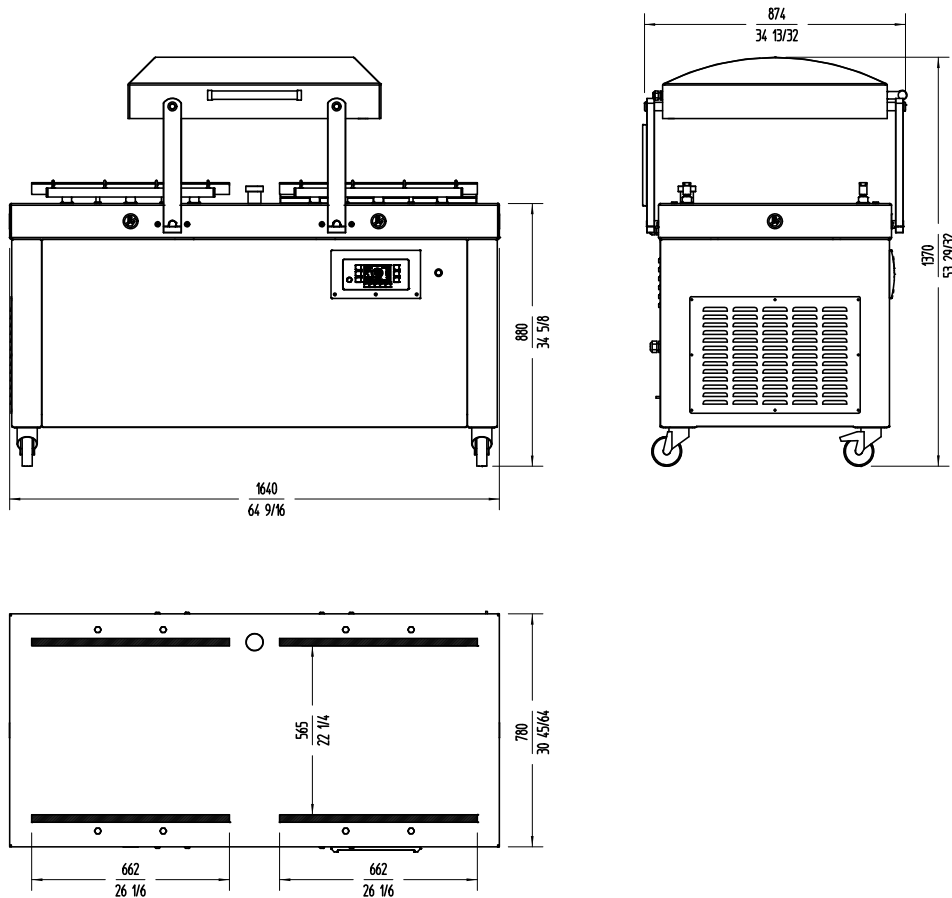
Double chamber vacuum packing machine. 155 m³/h.



AVAILABLE MODELS

1141053	SU-6160P 400/50-60/3N
1141055	SU-6160P+ 400/50-60/3N
1141056	SU-6160GP 400/50-60/3N
1141089	Vacuum packing machine SU-6160GP 400/50-60/3N -C-
1141058	SU-6160GP+ 400/50-60/3N
1141063	SU-6160P 220/60/3
1141065	SU-6160P+ 220/60/3
1141066	SU-6160GP 220/60/3
1141068	SU-6160GP+ 220/60/3
1141071	SU-6160GP 208-240/60/3
1141070	SU-6160P 208-240/60/3 USA
1141075	SU-6160P+ 400/50/3N BE
1141090	VAC PACK MACH S-6000
1141076	SU-6160GP+ 400/50/3N BE

* Ask for special versions availability



FOOD PRESERVATION AND SOUS-VIDE
COMMERCIAL VACUUM PACKING MACHINES

sammic | sammic.asia
Food Service Equipment Manufacturer

asia@sammic.com vietnam@sammic.com
 phone: +65 67480511 phone: +84 (0) 862493814

3018 Ubi Road 1 thailand@sammic.com
 408710 SINGAPORE phone: +66 (0) 993425561



Project	Date
Item	Qty
Approved	

product sheet
updated 03/12/2025