



HAND BLENDER XM-31

Professional immersion blender. 400 W.



DYNAMIC PREPARATION
COMMERCIAL HAND BLENDERS

SALES DESCRIPTION

- ✓ Fixed speed motor block.
- ✓ 306 mm detachable arm.
- ✓ Designed for continuous use in recipients of up to 30 l.

All-in-one

- ✓ Professional hand blender designed for carrying out different preparations without the need for add-on tools.
- ✓ Professional Y-blade, made from tempered steel and with a long-duration cutting edge.
- ✓ Fixed speed.
- ✓ Designed to work in recipients of up to 30 l.

Exclusive TiltStop system

- ✓ Your hand blender will stop in case of a fall or excessive tilt from the vertical position.
- ✓ Moreover, it won't initiate unless it's in the correct usage position.
- ✓ This ensures optimal operation and increases the operator's safety at the workplace.

Maximum comfort for the user

- ✓ Compact design: logical and manageable size.
- ✓ Ergo-design & bi-mat-grip: external casing made in two materials for an ergonomic hold. Anti-slip grip. Optimum inclination of handle, minimising fatigue.
- ✓ Click-on-arm: detachable arm with fast and secure closure.
- ✓ Hood designed to avoid splashes.
- ✓ Intuitive use: very simple operation. LED warning light in two colours to indicate the status of the machine.
- ✓ Possibility of continuous operation.

Built to last

- ✓ Professional performance: capable of carrying out prolonged work without the casing overheating.
- ✓ Life-plus: equipped with a motor which has passed all of the most demanding usage tests.
- ✓ Studied geometry: casing designed to avoid rolling and falling.

- ✓ Ultra-durable arms designed to stand high temperatures in operation.
- ✓ Easy to clean: the arm can be washed under the tap or in the dishwasher.
- ✓ Approved by NSF: guaranteed safety and hygiene.

INCLUDES

- ✓ Fixed speed motor block.
- ✓ MA-31 mixer arm.
- ✓ Wall mount.

OPTIONAL

- MA-32 mixer arm.
- MA-33 mixer arm.
- "Quick fix" clamp.
- Clamp sliding frame.

ACCESSORIES

- Clamp sliding frame
- Motor unit MM-30
- Mixer arms MA-30
- Quick-Fix bowl clamp

SPECIFICATIONS

Total loading: 400 W
 Maximum recipient capacity: 30 l
 Maximum working depth: 207.3 mm
 Motor speed: 12000 rpm
 Blade diameter: 55 mm
 Blade guard diameter: 92.2 mm

Length

Liquidising arm length: 306 mm
 Total length: 614 mm
 Net weight: 3.34 kg
 Noise level (1m.): <80 dB(A)
 Motor speed: 12000 rpm
 Blade diameter: 55 mm
 Blade guard diameter: 92.2 mm

Length

Liquidising arm length: 306 mm
 Total length: 614 mm
 Net weight: 3.34 kg
 Noise level (1m.): <80 dB(A)
 Crated dimensions
 455 x 475 x 117 mm
 Gross weight: 4.2 kg





HAND BLENDER XM-31

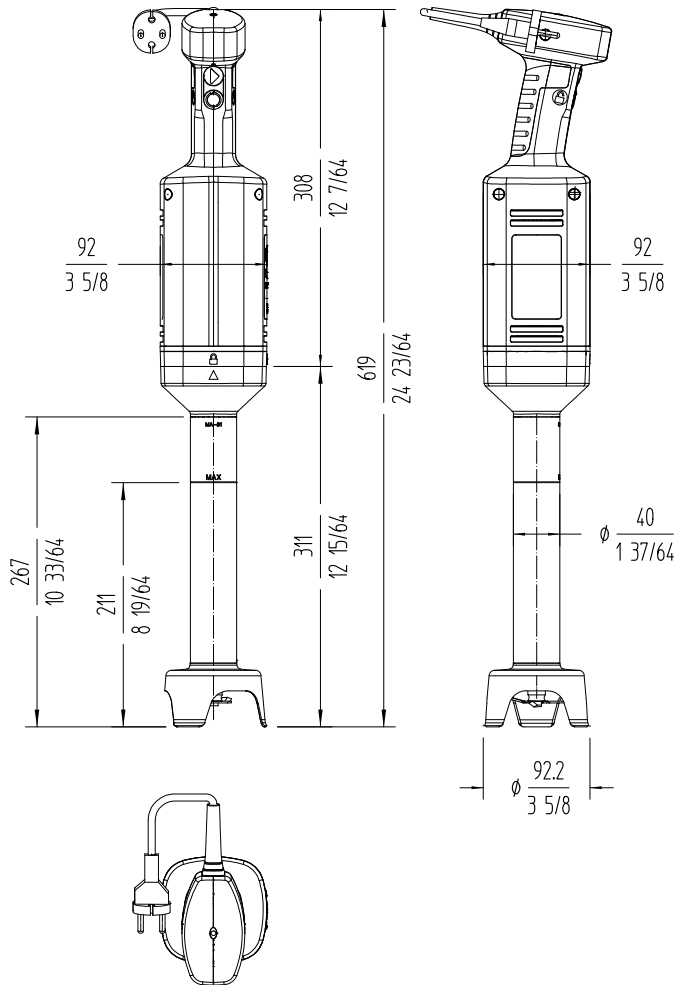
Professional immersion blender. 400 W.



AVAILABLE MODELS

3030672 Immersion blender XM-31 230/50-60/1

* Ask for special versions availability



DYNAMIC PREPARATION
COMMERCIAL HAND BLENDERS

sammic | sammic.com
Food Service Equipment Manufacturer

Polígono Basarte, 1. phone +34 943 15 72 36
20720 Azkoitia, Spain sales@sammic.com



Project	Date
Item	Qty
Approved	

product sheet
updated 03/12/2025